



USER INSTRUCTIONS

SHUFFLE TABLE MH1

BY MIA HAMBORG
2010

Congratulations on choosing this Shuffle table, designed in 2010 by Mia Hamborg. We hope you will enjoy using this table and follow these instructions to ensure correct assembly. If you have any questions or comments, please do not hesitate to contact us by mail on:

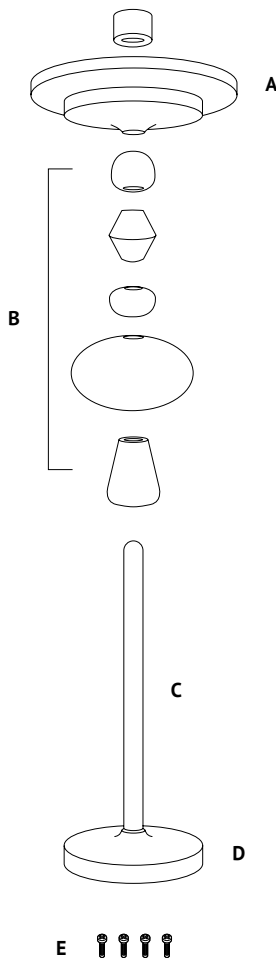
info@andtradition.com

CONTENTS

- A - Table top
- B - 5 × table building block
- C - Table pillar
- D - Base
- E - 4 × screw

TOOLS NEEDED

- Medium Philips-head (PH) screwdriver for assembly.



Please read these instructions carefully and retain them for future reference to ensure that the table is assembled correctly, should it be moved or sold. For your own safety, please study each step of this instruction manual before you commence assembly. &tradition are not responsible for any faults or damages caused by not following these instructions correctly. Do not modify this table in any way.

USER SUGGESTIONS

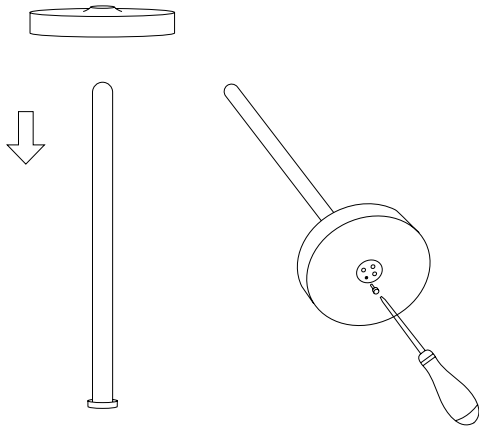
The Shuffle table is intended as a flexible piece of furniture that can serve many uses in the home. The building blocks can be combined to place the table top at different heights, making it user friendly for all ages. Visit our website for more inspiration: www.andtradition.com

SAFETY PRECAUTIONS

- Dispose of plastic bag from packaging and do not allow children to play with it.
- Children aged 0 - 5 years should not be allowed to stack the table elements.
- The table is only intended for interior use.
- Never stand or sit on the table.
- Do not attempt assembly of product if you are not competent to do so yourself.
- Always ensure the table top is clear before changing the assembly of the table.

CLEANING INSTRUCTIONS

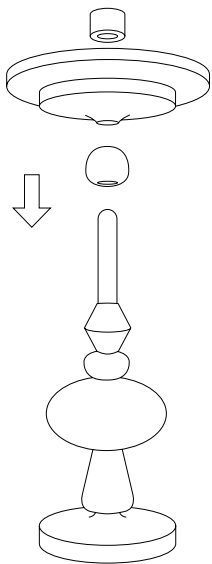
- Never use aggressive or abrasive cleaning detergents for any parts of the table, as this will cause irreparable damage.
- Dust table with a soft cloth.
- Clean table with a soft cloth wrung in a solution of water and universal cleaning detergent and dry immediately with a soft cloth.
- Avoid use of abrasive cleaning products such as steel wool or polish. Avoid placing lacquered wood in excessive humidity or heat.



STEP 1

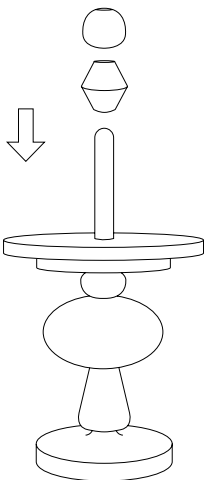
Push the table pillar through the hole in the base as shown in the drawing. Use the four included screws to fasten the bottom of the pillar to the base.

Apply pressure to the bottom of the pillar while tightening the screws so that they grip into the soft MDF base. This ensures a tight and level fit.



STEP 2

Build up your table by gently placing one wooden block on the pillar at a time. Never let a block drop onto the pillar as this can result in damage to the painted surface.



STEP 3

Construct the table so that the table top is at an appropriate height for its intended use.



SHUFFLE TABLE ^{MH1}

BY MIA HAMBORG
BLACK EDITION BY PETER HAGEN
2010

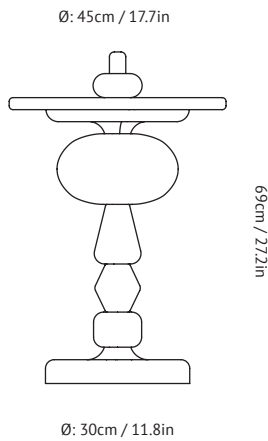


SHUFFLE TABLE ^{MH1}

BY MIA HAMBORG
 BLACK EDITION BY PETER HAGEN
 2010

Mia Hamborg gives new life to the old Nordic craft tradition of turning wood by adding the colour and playful forms from old painted wooden toys. It's up to you where you want to put this fine piece of furniture and being truly Nordic and democratic, you can even decide the form, colours and height of the table.

This fine table has one function more important than all others:
 To create joy.



Product category	Table
Production Process	All pieces of the table are made from milled and polished marble and/or lacquered MDF and solid wood. The lacquered parts are PU coated to ensure a durable and high gloss surface.
Environment	Indoor
Material	Lacquered MDF and/or marble, solid wood.
Dimensions (cm/in)	Ø: 45cm/17.7in, H: 69cm/27.2in.
Weight (kg)	Spectrum: 11kg Black with marble: 22kg
Colours	Spectrum in colour, Black with Nero Marquina marble
Cleaning Instructions	Please download our Material Cleaning Instructions through www.andtradition.com
Package Dimensions (cm/in)	H: 20cm/7.9in, H: 79cm/31.1in, D: 48.0 cm/18.9in.

PRODUCT



COLOUR



Spectrum



Polished black
Nero Marquina marble